

Before you begin — This unit is supplied with six (6) ceramic fiber logs. Do not handle these logs with your bare hands. **Always wear gloves to prevent skin irritation from ceramic fibers.** After handling the logs, wash your hands gently with soap and water to remove any traces of fibers.

CAUTION
DO NOT sprinkle volcanic rock on the logs or around the pilot or the main burner. This may cause sooting. Only place volcanic rock on the floor of the fireplace.
 During initial operation of the new heater, burning logs will give off a paper burning smell and orange flames will be present. Simply open the windows for a few hours to vent the odor.

WARNING
 The positioning of the logs is critical to the safe and clean operation of this heater. Sooting and other problems may result if the logs are not properly and firmly positioned in the appliance. Never add additional logs or embellishments such as pine cones, vermiculite or rock wool to the heater. Only use the logs and TPB-RW (rock wool) supplied with the unit.
 Failure to position the parts in accordance with diagrams below or to use only parts specifically approved for this heater may result in property damage or personal injury.

PLACE CHARRED TIMBER LOGS

1. Place rear log (#1) on two located pins on the back of the grate. *Figure 17*

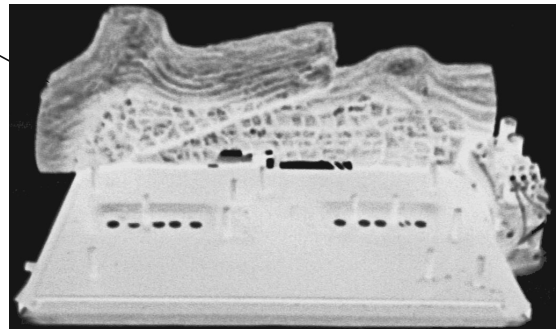
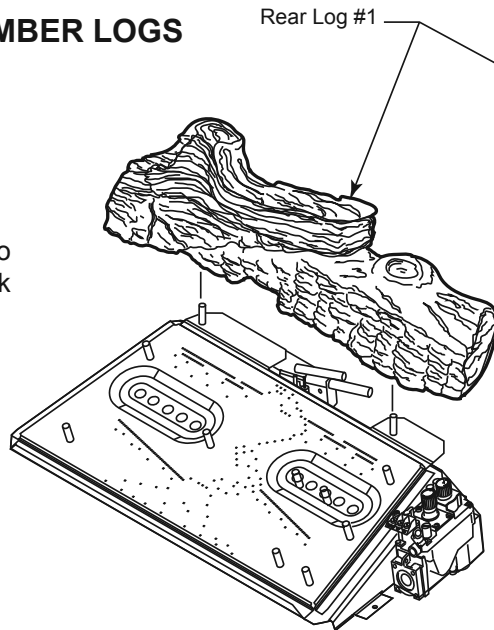
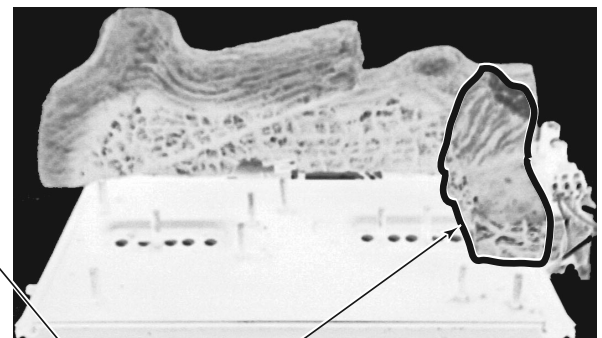
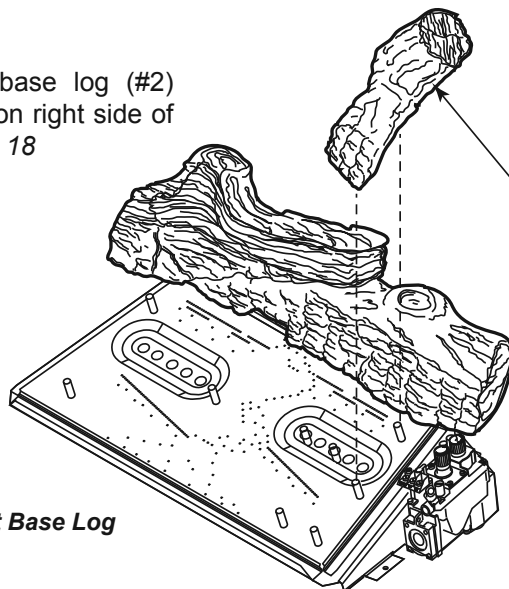


Figure 17 - Place Rear Log

2. Place right base log (#2) on two pins on right side of grate. *Figure 18*



Right Base Log #2

Figure 18 - Place Right Base Log

- 3. Place left base log (#3) on two pins on left side of grate. *Figure 19*

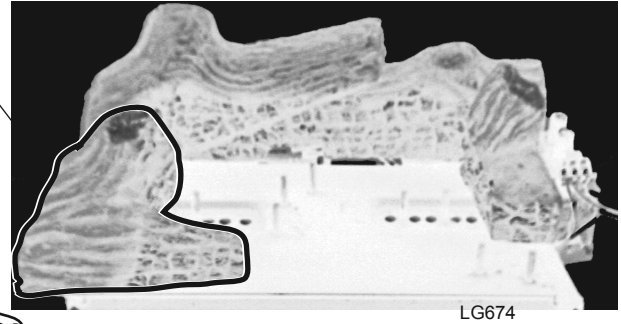
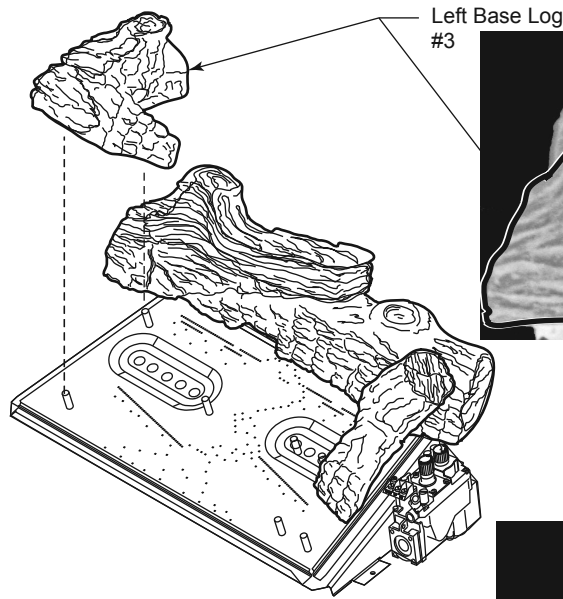


Figure 19 - Place Left Base Log

- 4. Place right front log (#4) on two pins on bottom right side of grate. *Figure 20*

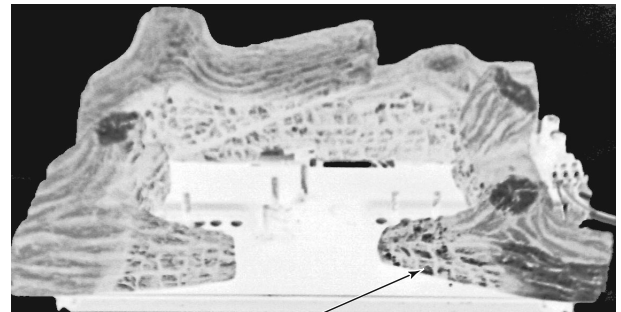
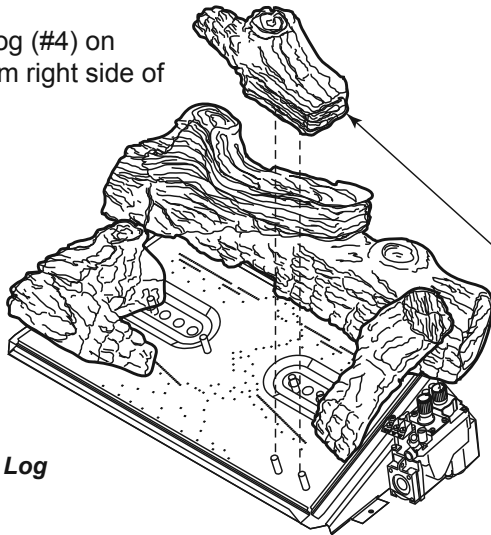


Figure 20 - Place Right Top Log

- 5. Place right end of left top log (#5) on bottom center grate pin. Place left end of left top log (#5) on top of the left base log. *Figure 21*

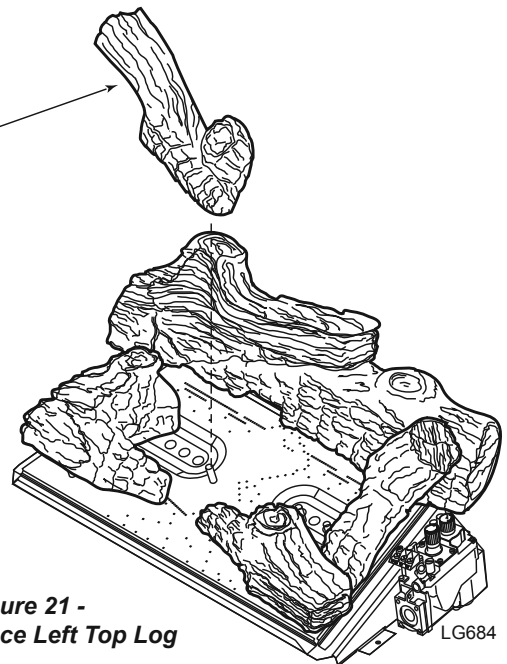
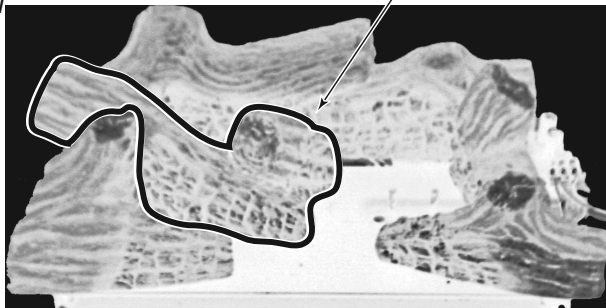
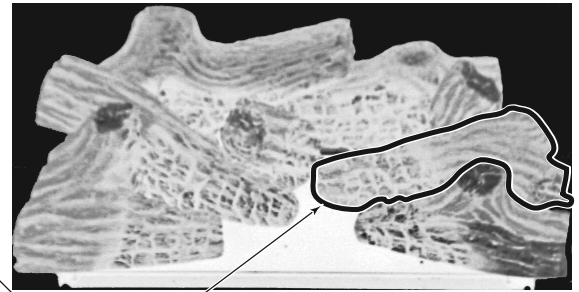
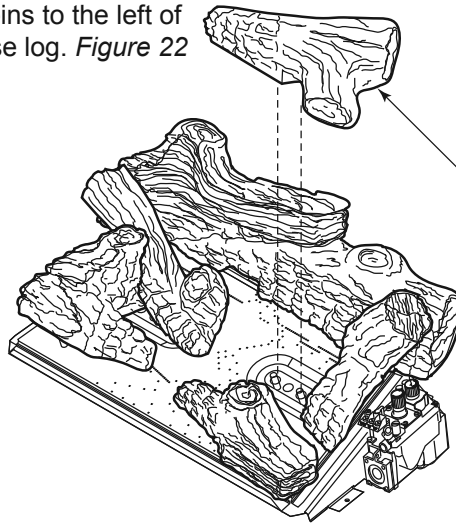


Figure 21 - Place Left Top Log

- 6. Place right top log (#6) on two pins to the left of right base log. *Figure 22*



LG685

Right Top Log #6

Figure 22 - Place Right Top Log

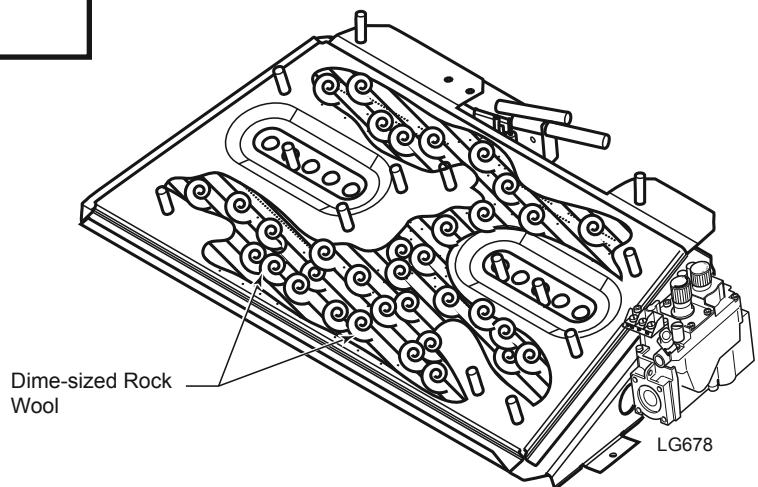
PLACING ROCK WOOL

After placing logs, place TPB18-RW (Rock Wool) in dime-size pieces evenly across the burner surface in between the logs. Do not add additional Rock Wool. *Figure 23*

Wash hands after placing Rock Wool. Itching may occur.

WARNING

- Use only TPB18-RW rock wool provided with log set.
- Do not add additional rock wool.



Dime-sized Rock Wool

LG678

Figure 23 - Place Rock Wool